

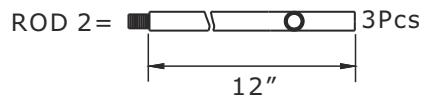
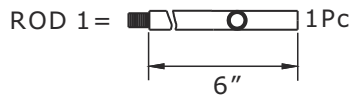
# CRYSTORAMA

LIGHTING THE WAY FOR SIXTY YEARS

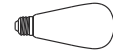


Crystorama.com

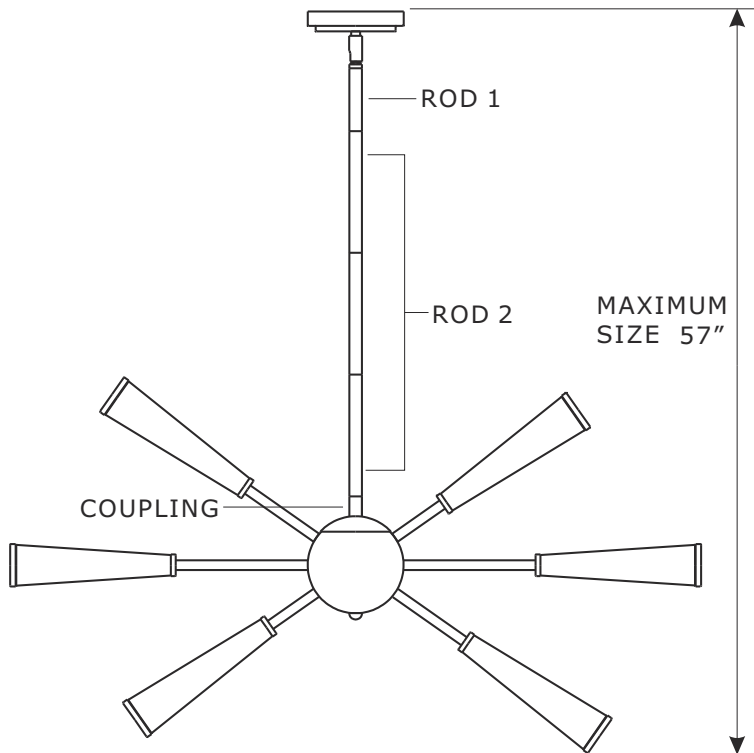
## ASSEMBLY INSTRUCTION MODEL#3812-PN



All electrical components must be installed by a licensed electrician in accordance with the National Electric Code and the appropriate local electrical codes.

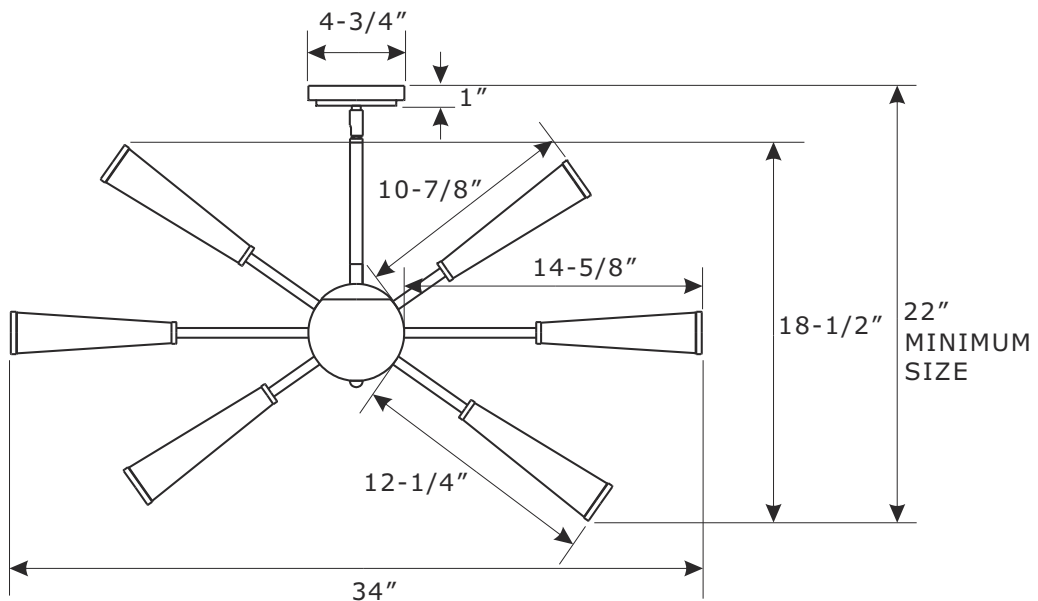


You will need 12-Medium Base Bulb  
40 Watts Recommended 60 Watts Max.  
USE LED BULBS FOR EXTENDED USE  
This fixture is Damp rated



### How to install

1. Separate the mounting plate from the canopy kit by removing the screws.
2. Install the mounting plate to the outlet box using two outlet box screws.
3. Determine the preferred hanging height and adjust the required rods.
4. Feed the wires through the rods and connect them together.
5. Slip canopy kit along wire and thread it into the top of the rod assembly.
6. Install canopy onto the mounting plate, and secure with the mounting screws.
7. Install the bulb(not included) into the socket.



**WARNING:** This product can expose you to Lead which is known to the state of California to cause cancer and/or birth defects or reproductive harm. For more information go to [www.P65Warnings.ca.gov](http://www.P65Warnings.ca.gov)



## ASSEMBLY INSTRUCTION MODEL #3812-PN

### Part Number

#### Part Numbers

- A. (1)-Mounting hardware
- B. (1)-Mounting plate
- C. (2)-mounting screw
- D. (1)-Canopy kit W4-3/4"xH1" #XRF3812PNCAN4.75IN
- E. (1)-Rod D5/8"xL6" #XRF3812PNROD6IN
- F. (3)-Rod D5/8"xL12" #XRF3812PNROD12IN
- G. (4)-Socket L10-7/8"
- H. (4)-Socket L14-5/8"
- I. (4)-Socket L12-1/4"

