

ASSEMBLY INSTRUCTIONS

Lyra Two Tier Chandelier

Item # TOB 5943

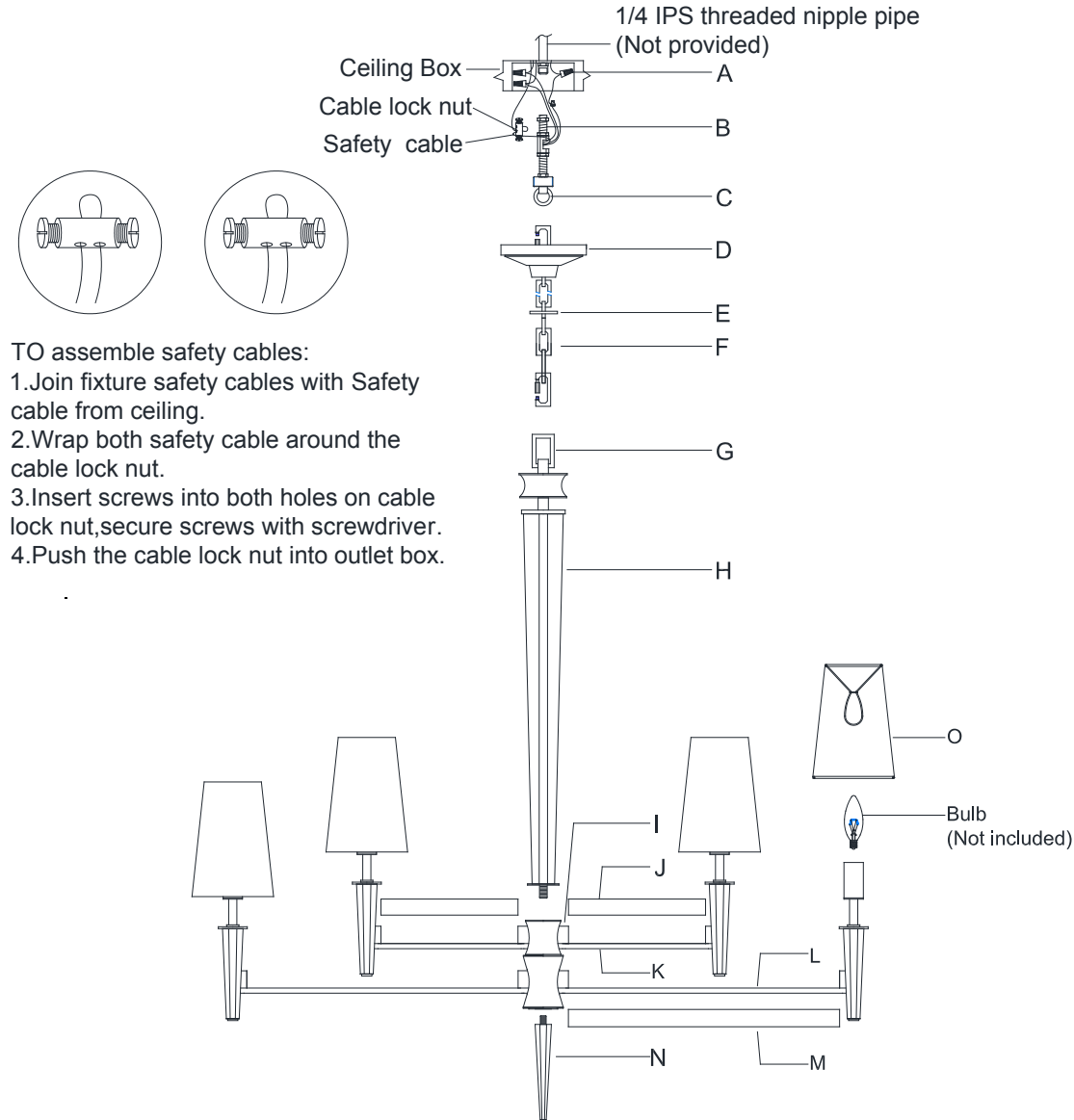
WE RECOMMEND INSTALLATION OF THIS LIGHTING FIXTURE BE DONE BY A LICENSED ELECTRICIAN.

WARNING*SWITCH OFF THE MAIN ELECTRICAL SUPPLY FROM THE MAIN FUSE BOX/CIRCUIT BREAKER BEFORE INSTALLATION.**

INSPECT ITEM CAREFULLY BEFORE ATTEMPTING TO INSTALL. IF THERE IS ANY DAMAGE OR OBVIOUS DEFECT. DO NOT INSTALL.

ITEM MAY NOT BE RETURNED ONCE IT HAS BEEN INSTALLED.

NOTE: CAREFULLY UNPACK EACH PIECE IN TOP LAYER OF PACKING PRIOR TO REMOVING. RETAIN ALL PACKING MATERIAL UNTIL INSPECTION AND INSTALLATION ARE FINAL.



TO assemble safety cables:

1. Join fixture safety cables with Safety cable from ceiling.
2. Wrap both safety cable around the cable lock nut.
3. Insert screws into both holes on cable lock nut, secure screws with screwdriver.
4. Push the cable lock nut into outlet box.

1. Carefully remove all parts from the box.
2. Thread the center column (H) to the top of the fixture body (I).
3. Thread the finial (N) to the bottom of the fixture body (I).
4. Provide a 1/4" IPS pipe with one end securely mounted to a beam or a structural member. The other end should protrude through the center of the outlet box as shown.
5. Install the threaded nipple (B) into the support pipe and adjust overall length to allow the canopy ring to hold the canopy flush to the ceiling.
6. Put canopy (D) flush to the ceiling, and secure with collar ring (E).
7. With the fixture desired height, shorten the chain (F) as needed using a pair of chain pliers.
8. Open the chain quick link, then attach the chain quick link to the ceiling loop (C). Secure the chain quick link.
9. Open the chain quick link, then attach the chain quick link to the top ring (G). Secure the chain quick link.
10. Weave the power supply cord and the ground wire through the chain (F).
11. When you reach the canopy and ceiling loop, measure the wires then cut. Be certain to leave enough to connect inside of the outlet box.
12. Strip the insulation back on the two power supply wires about 5/8".
13. Loosen the collar ring (E) and let the canopy (D) slip down the chain (F) carefully.
14. Twist the power supply and ground wire together and push through the center hole of the ceiling loop (C).



ASSEMBLY INSTRUCTIONS

Lyra Two Tier Chandelier

Item # TOB 5943

WE RECOMMEND INSTALLATION OF THIS LIGHTING FIXTURE BE DONE BY A LICENSED ELECTRICIAN.

WARNING*SWITCH OFF THE MAIN ELECTRICAL SUPPLY FROM THE MAIN FUSE BOX/CIRCUIT BREAKER BEFORE INSTALLATION.**

INSPECT ITEM CAREFULLY BEFORE ATTEMPTING TO INSTALL. IF THERE IS ANY DAMAGE OR OBVIOUS DEFECT. DO NOT INSTALL.

ITEM MAY NOT BE RETURNED ONCE IT HAS BEEN INSTALLED.

NOTE: CAREFULLY UNPACK EACH PIECE IN TOP LAYER OF PACKING PRIOR TO REMOVING. RETAIN ALL PACKING MATERIAL UNTIL INSPECTION AND INSTALLATION ARE FINAL.

15. Connect the fixture ground (bare) wire with the ground wire from the junction box using wire nut (A). If your house does not have ground wire, then attach this wire to the green grounding screw inside of the junction box.

IT IS IMPERATIVE THAT THIS FIXTURE BE GROUNDED.

16. Connect the fixture Neutral wire (ribbed) with the neutral wire (usually white) from the junction box using wire nut (A).

17. Connect the fixture Hot wire (smooth, marks with words) with the hot wire (usually black) from the junction box using wire nut (A).

DO NOT REVERSE THE HOT AND NEUTRAL CONNECTIONS OR SAFETY WILL BE COMPROMISED.

18. Tuck these wire connections neatly into the outlet box to secure.

19. Put canopy (D) flush to the ceiling, and secure with collar ring (E).

20. Put the shorter crystal bar (J) on the top metal arm (J).

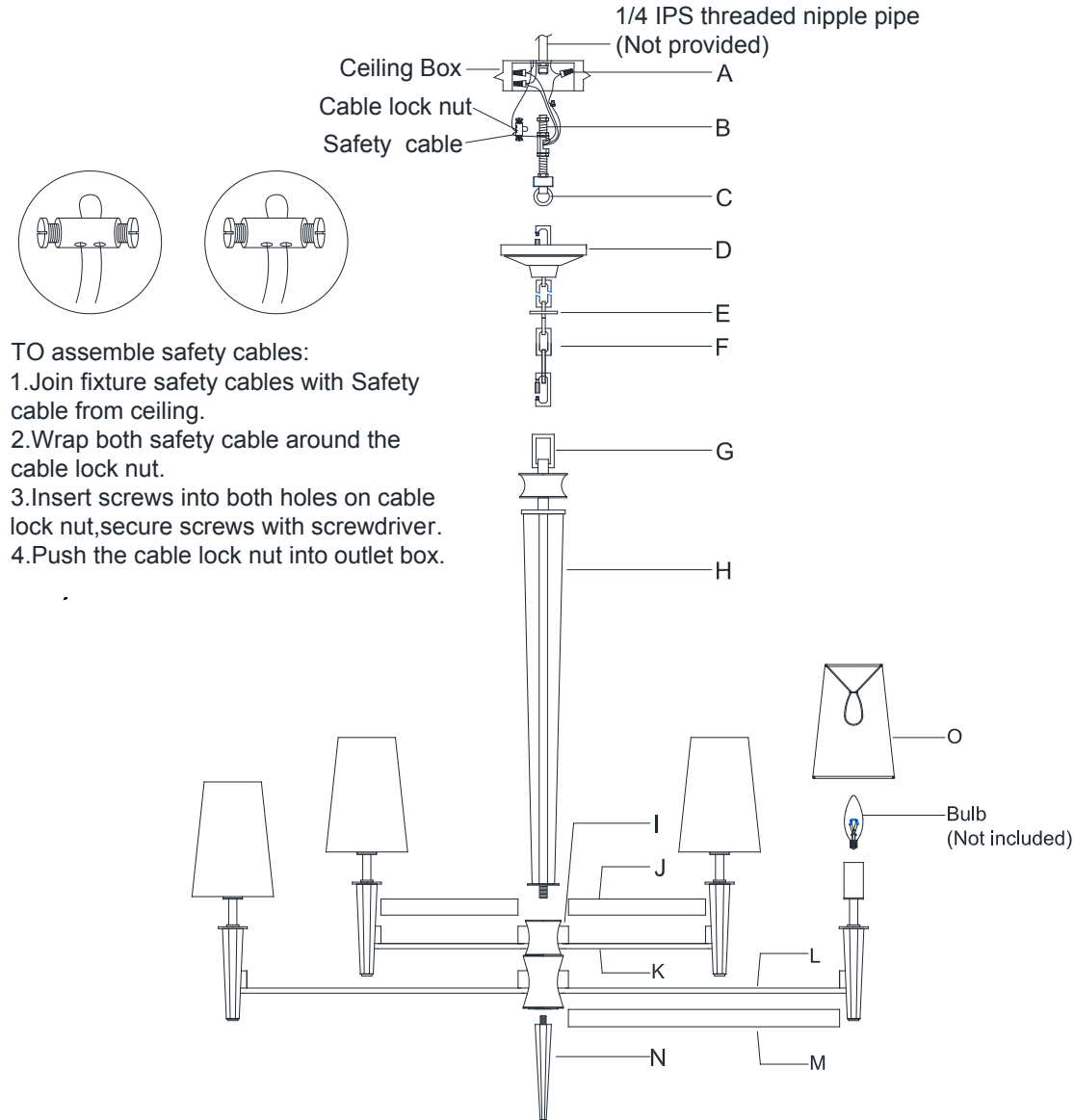
21. Put the longer crystal bar (M) on the bottom metal arm (L)

22. Insert bulbs (not included) into the sockets.

23. Clip the shades (O) on the bulbs.

24. Installation is complete, turn on power at fuse or circuit breaker.

***Clean with a dry, soft cloth only. Use no harsh abrasives or chemical agents.



TO assemble safety cables:

1. Join fixture safety cables with Safety cable from ceiling.
2. Wrap both safety cable around the cable lock nut.
3. Insert screws into both holes on cable lock nut, secure screws with screwdriver.
4. Push the cable lock nut into outlet box.

