

# TEAR SHEET

## Lloyd Large Jeweled Sconce

Item # KS 2017SB-CG

Designer: kate spade new york

Height: 18.5"

Width: 6.25"

Extension: 4"

Backplate: 4" x 12.25" Rectangle

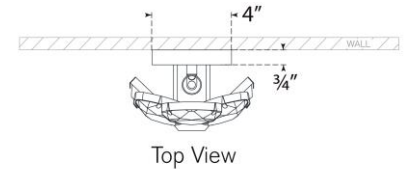
Finishes: PN, SB

Shade Treatments: CG, ALB

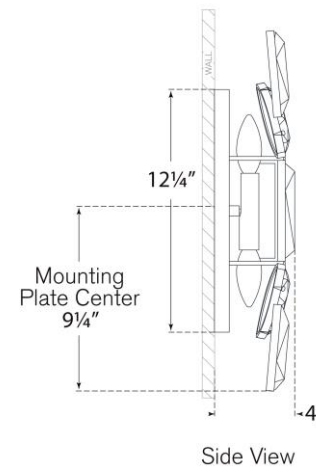
Socket: 2 - E12 Candelabra

Wattage: 2 - 40 B11

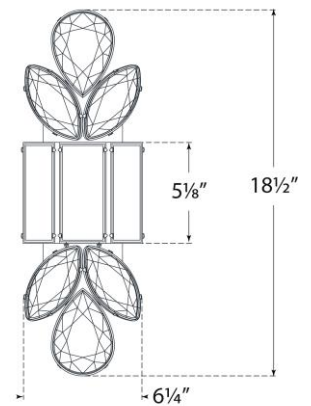
Weight: 8 Pounds



Top View



Side View



Front View